

0 8' 16' 32'

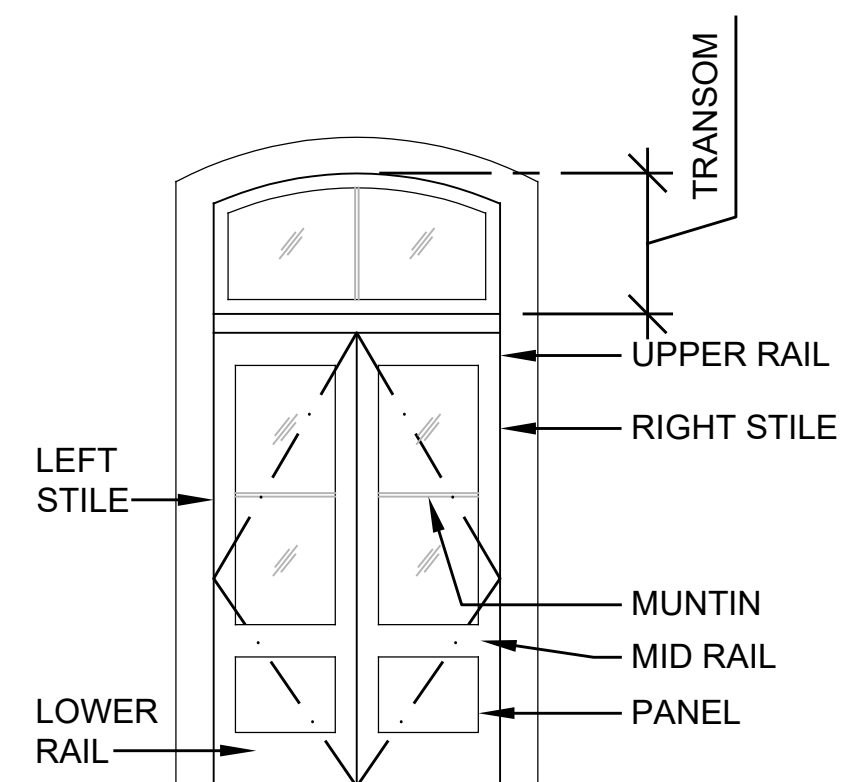
B1 BASEMENT WINDOW PLAN
1/16" = 1'-0"

WINDOW REPAIR SCHEDULE

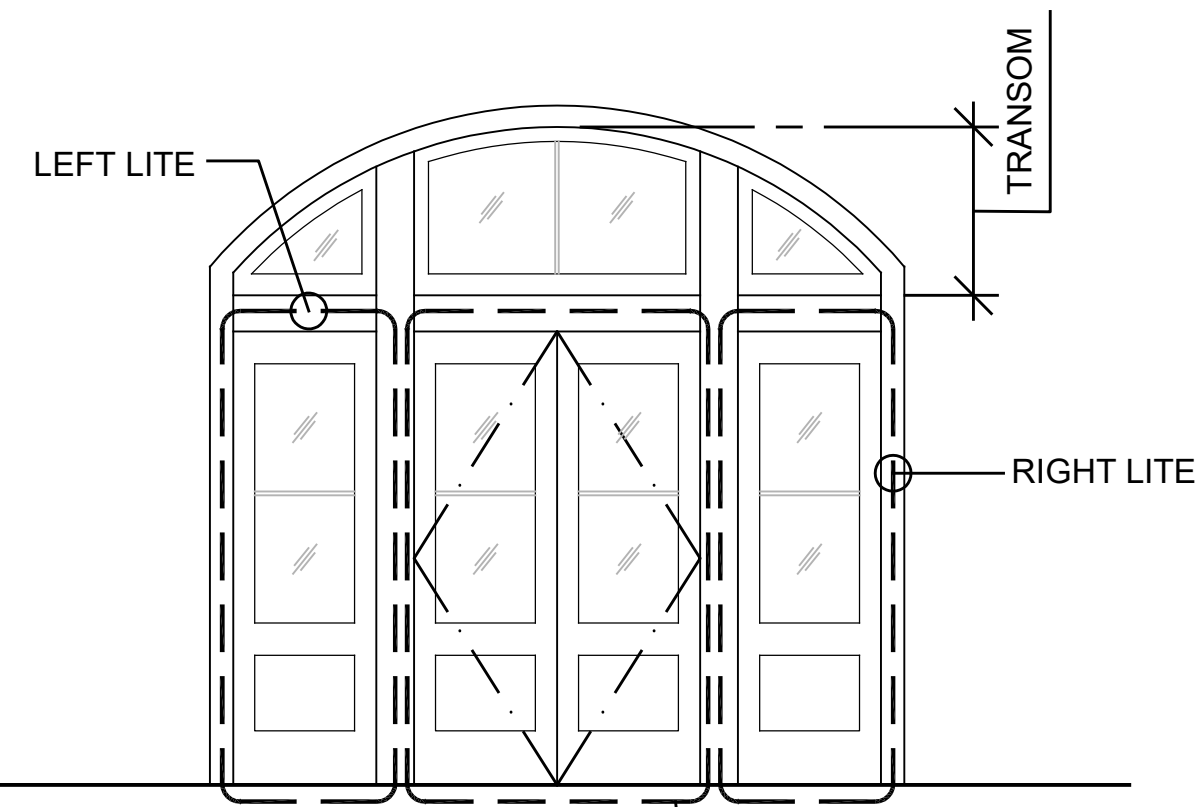
WDW NO	TYPE	LOWER SASH						UPPER SASH						SEALANT	NOTES		
		LOWER RAIL	UPPER RAIL	RIGHT STILE	LEFT STILE	MUNTIN	STOP	GLASS	LOWER RAIL	UPPER RAIL	RIGHT STILE	LEFT STILE	MUNTIN			STOP	GLASS
B01	A	RF	RF	RF	RF	RF	RF	-	RF	RF	RF	RF	RF	RF	-	R	WDW SEALED AT INT. WDW FIXED IN PLACE
B02	A	RF	RF	RF	RF	RF	RF	-	RF	RF	RF	RF	RF	RF	-	R	WDW SEALED AT INT. WDW FIXED IN PLACE
B03	A	RF	RF	RF	RF	RF	RF	-	RF	RF	RF	RF	RF	RF	-	R	WDW SEALED AT INT. WDW FIXED IN PLACE
B04	A	RF	RF	RF	RF	RF	RF	-	RF	RF	RF	RF	RF	RF	-	R	WDW SEALED AT INT. WDW FIXED IN PLACE
B05	A	RF	RF	RF	RF	RF	RF	-	RF	RF	RF	RF	RF	RF	-	R	PANEL ON INSIDE. NO ACCESS TO WDW FROM INT. REMOVE BLOCK IN TRACK, REINSTALL AFTER REFINISH
B06	A	RF	RF	RF	RF	RF	RF	-	RF	RF	RF	RF	RF	RF	-	R	PANEL ON INSIDE. NO ACCESS TO WDW FROM INT. REMOVE BLOCK IN TRACK, REINSTALL AFTER REFINISH
B07	A	RF	RF	RF	RF	RF	RF	-	RF	RF	RF	RF	RF	RF	-	R	WDW SEALED AT INT. WDW FIXED IN PLACE
B08	A	RF	RF	RF	RF	RF	RF	-	RF	RF	RF	RF	RF	RF	-	R	WDW SEALED AT INT. WDW FIXED IN PLACE
B09	A	RF	RF	RF	RF	RF	RF	-	RF	RF	RF	RF	RF	RF	-	R	PANEL ON INSIDE. NO ACCESS TO WDW FROM INT. REMOVE BLOCK IN TRACK, REINSTALL AFTER REFINISH
B10	A	RF	RF	RF	RF	RF	RF	-	RF	RF	RF	RF	RF	RF	-	R	PANEL ON INSIDE. NO ACCESS TO WDW FROM INT. REMOVE BLOCK IN TRACK, REINSTALL AFTER REFINISH
B11	A	RF	RF	RF	RF	RF	RF	-	RF	RF	RF	RF	RF	RF	-	R	PANEL ON INSIDE. NO ACCESS TO WDW FROM INT. REMOVE BLOCK IN TRACK, REINSTALL AFTER REFINISH
B12	A	RF	RF	RF	RF	RF	RF	-	RF	RF	RF	RF	RF	RF	-	R	PANEL ON INSIDE. NO ACCESS TO WDW FROM INT. REMOVE BLOCK IN TRACK, REINSTALL AFTER REFINISH
B13	A	RF	RF	RF	RF	RF	RF	-	RF	RF	RF	RF	RF	RF	-	R	PANEL ON INSIDE. NO ACCESS TO WDW FROM INT. REMOVE BLOCK IN TRACK, REINSTALL AFTER REFINISH
B14	A	RF	RF	RF	RF	RF	RF	-	RF	RF	RF	RF	RF	RF	-	R	PANEL ON INSIDE. NO ACCESS TO WDW FROM INT. REMOVE BLOCK IN TRACK, REINSTALL AFTER REFINISH
B15	A	RF	RF	RF	RF	RF	RF	-	RF	RF	RF	RF	RF	RF	-	R	WDW SEALED AT INT. WDW FIXED IN PLACE
B16	-	-	-	-	-	-	-	-	-	-	-	-	-	-	-	-	NO WORK
B17	A	RF	RF	RF	RF	RF	RF	-	RF	RF	RF	RF	RF	RF	-	R	PANEL ON INSIDE. NO ACCESS TO WDW FROM INT. REMOVE BLOCK IN TRACK, REINSTALL AFTER REFINISH
B18	A	RF	RF	RF	RF	RF	RF	-	RF	RF	RF	RF	RF	RF	-	R	WDW SEALED AT INT. WDW FIXED IN PLACE
B19	A	RF	RF	RF	RF	RF	RF	-	RF	RF	RF	RF	RF	RF	-	R	WDW SEALED AT INT. WDW FIXED IN PLACE
B20	A	RF	RF	RF	RF	RF	RF	-	RF	RF	RF	RF	RF	RF	-	R	PANEL ON INSIDE. NO ACCESS TO WDW FROM INT. REMOVE BLOCK IN TRACK, REINSTALL AFTER REFINISH
B21	A	RF	RF	RF	RF	RF	RF	-	RF	RF	RF	RF	RF	RF	-	R	PANEL ON INSIDE. NO ACCESS TO WDW FROM INT. REMOVE BLOCK IN TRACK, REINSTALL AFTER REFINISH
B22	A	RF	RF	RF	RF	RF	RF	-	RF	RF	RF	RF	RF	RF	-	R	PANEL ON INSIDE. NO ACCESS TO WDW FROM INT. REMOVE BLOCK IN TRACK, REINSTALL AFTER REFINISH
B23	A	RF	RF	RF	RF	RF	RF	-	RF	RF	RF	RF	RF	RF	-	R	PANEL ON INSIDE. NO ACCESS TO WDW FROM INT. REMOVE BLOCK IN TRACK, REINSTALL AFTER REFINISH
B24	A	RF	RF	RF	RF	RF	RF	-	RF	RF	RF	RF	RF	RF	-	R	PANEL ON INSIDE. NO ACCESS TO WDW FROM INT. REMOVE BLOCK IN TRACK, REINSTALL AFTER REFINISH
B25	A	RF	RF	RF	RF	RF	RF	-	RF	RF	RF	RF	RF	RF	-	R	PANEL ON INSIDE. NO ACCESS TO WDW FROM INT. REMOVE BLOCK IN TRACK, REINSTALL AFTER REFINISH
B26	A	RF	RF	RF	RF	RF	RF	-	RF	RF	RF	RF	RF	RF	-	R	PANEL ON INSIDE. NO ACCESS TO WDW FROM INT. REMOVE BLOCK IN TRACK, REINSTALL AFTER REFINISH
B27	A	RF	RF	RF	RF	RF	RF	-	RF	RF	RF	RF	RF	RF	-	R	PANEL ON INSIDE. NO ACCESS TO WDW FROM INT. REMOVE BLOCK IN TRACK, REINSTALL AFTER REFINISH
B28	A	RF	RF	RF	RF	RF	RF	-	RF	RF	RF	RF	RF	RF	-	R	PANEL ON INSIDE. NO ACCESS TO WDW FROM INT. REMOVE BLOCK IN TRACK, REINSTALL AFTER REFINISH
B29	A	RF	RF	RF	RF	RF	RF	-	RF	RF	RF	RF	RF	RF	-	R	PANEL ON INSIDE. NO ACCESS TO WDW FROM INT. REMOVE BLOCK IN TRACK, REINSTALL AFTER REFINISH
B30	A	RF	RF	RF	RF	RF	RF	-	RF	RF	RF	RF	RF	RF	-	R	WDW SEALED AT INT. WDW FIXED IN PLACE
B31	A	RF	RF	RF	RF	RF	RF	-	RF	RF	RF	RF	RF	RF	-	R	WDW SEALED AT INT. WDW FIXED IN PLACE
B32	A	RF	RF	RF	RF	RF	RF	-	RF	RF	RF	RF	RF	RF	-	R	WDW SEALED AT INT. WDW FIXED IN PLACE

DOOR TYPES

NOTE: DOORS AS VIEWED FROM EXTERIOR



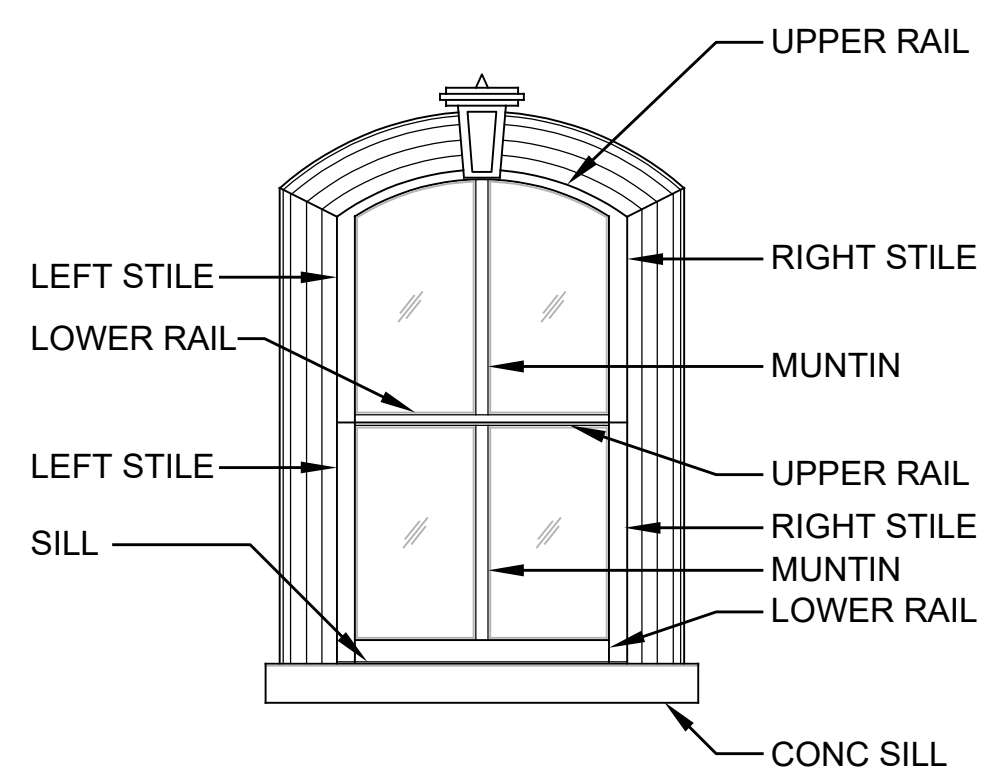
A



B

WINDOW TYPES

NOTE: WINDOWS AS VIEWED FROM EXTERIOR



A

DOOR SCHEDULE

DR NO	TYPE	LEFT LEAF						RIGHT LEAF						DOOR GLASS	WEATHERSTRIP	TRANSOM	LEFT LITE	RIGHT LITE	NOTES		
		LOWER RAIL	MID RAIL	UPPER RAIL	RIGHT STILE	LEFT STILE	MUNTIN	PANEL	LOWER RAIL	MID RAIL	UPPER RAIL	RIGHT STILE	LEFT STILE							MUNTIN	PANEL
B01	B	RF	RF	RF	RF	RF	RF	E, RF	RF	RF	RF	RF	RF	RF	E, RF	-	-	RF	E, RF	E, RF	REPLACE ASTRAGAL, REPLACE EXT CERAMIC KNOB, REPLACE ±3' OF GLAZING PUTTY, PROVIDE PEMKO 18062WNB SERIES DOOR SWEEP OR EQUAL AND PAINT TO MATCH DOOR FINISH, PAINT DOOR JAMBS COLOR TO MATCH ICI #471 "CHINCHILLA WHITE"
B02	A	RF	RF	RF	RF	RF	RF	E, RF	RF	RF	RF	RF	RF	RF	RF	-	-	RF	N/A	N/A	PAINT DOOR JAMBS. COLOR TO MATCH ICI #471 "CHINCHILLA WHITE". REFINISH EXT AND INT OF DOORS. REMOVE GASKETS PRIOR TO REFINISHING. REPLACE GASKETS.
B03	B	RF	RF	RF	RF	RF	RF	RF	RF	RF	RF	RF	RF	RF	RF	-	-	RF	E, RF	E, RF	PROVIDE PEMKO 18062WNB SERIES DOOR SWEEP OR EQUAL AND PAINT TO MATCH DOOR FINISH, PAINT DOOR JAMBS COLOR TO MATCH ICI #471 "CHINCHILLA WHITE"

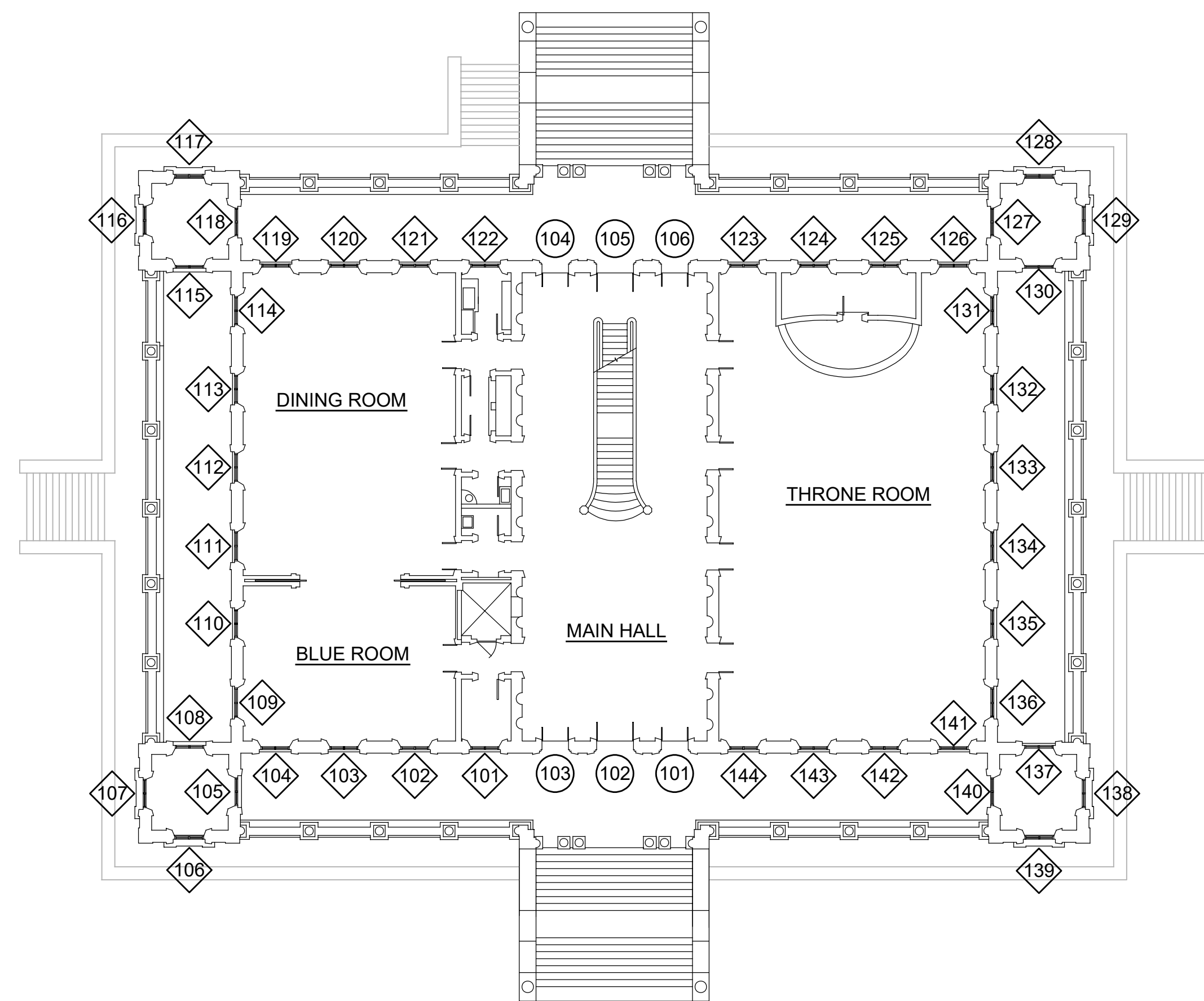
LEGEND

- E EPOXY GAPS, CRACKS, AND/OR HOLES & REFINISH
- RF REFINISH
- R REMOVE EXISTING PERIMETER SEALANT AROUND EXTERIOR WOOD CASING AND SILL. REPLACE WITH NEW SEALANT

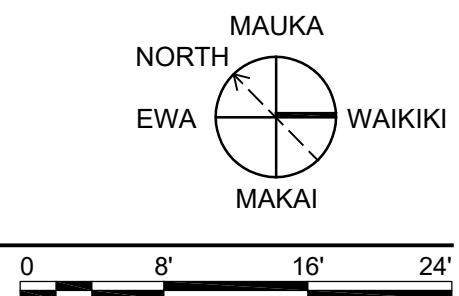
WINDOW NOTES

- REFINISH ALL WOOD SILLS. PAINT COLOR OF SILLS TO MATCH ICI #471 "CHINCHILLA WHITE"
- SEE SPECIFICATIONS FOR REFINISHING INFORMATION

1	ADDENDUM 1	5 OF 8	5/18/26		
REVISION NO.	SYM.	DESCRIPTION	SHT./OF	DATE	APPROVED
		STATE OF HAWAII DEPARTMENT OF LAND AND NATURAL RESOURCES ENGINEERING DIVISION IOLANI PALACE STATE MONUMENT WINDOWS AND DOORS RESTORATION BASEMENT SCHEDULES			
DESIGNED: GM DRAWN: EB CHECKED: GM APPROVED:		SUBMITTED: - DATE: SCALE: DRAWING NO. A601		DATE: _____ CHIEF ENGINEER: _____ Signature: _____ Expiration Date of License: 4/30/2028	



B1 FIRST FLOOR WINDOW PLAN
3/32" = 1'-0"

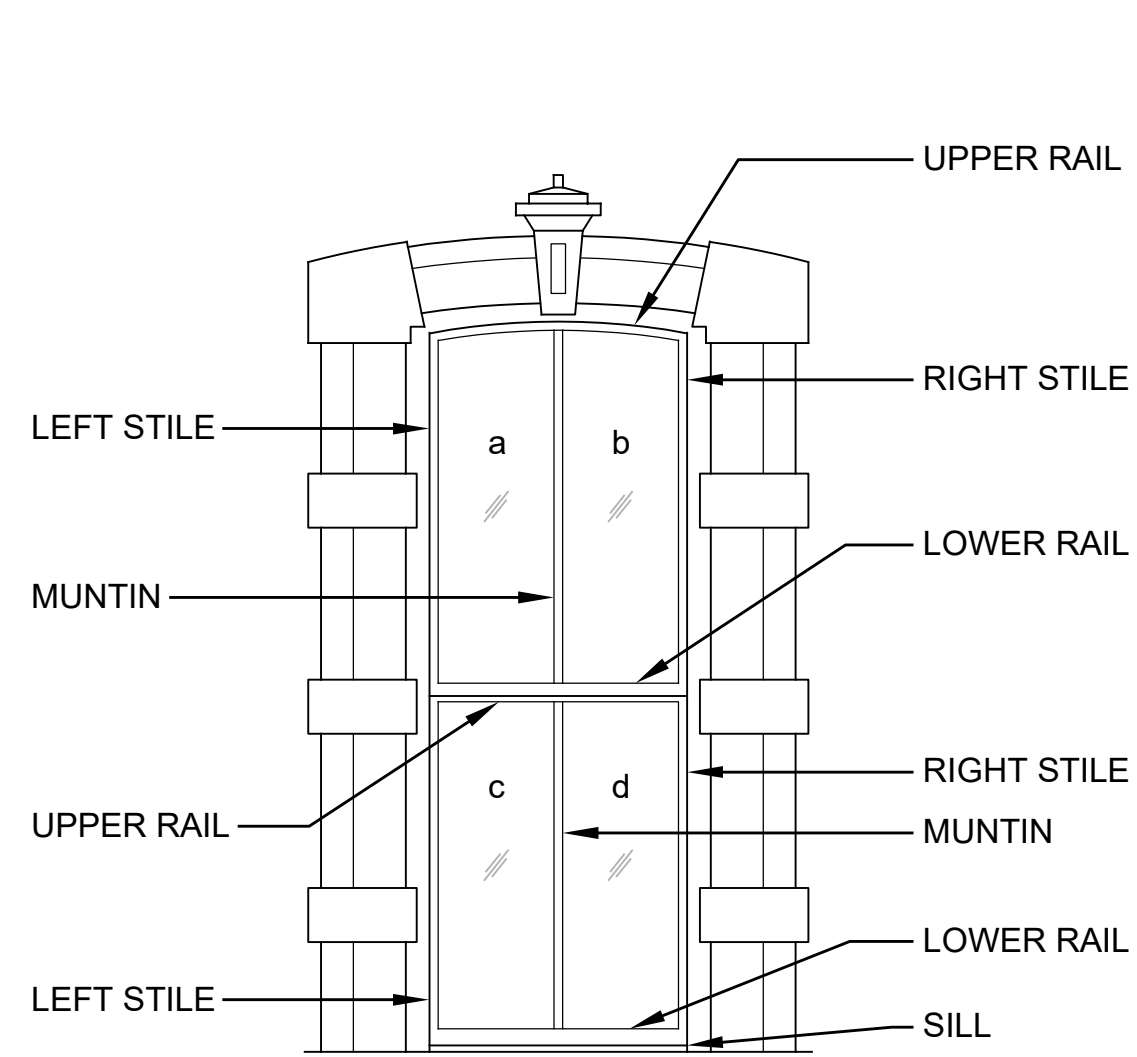


WINDOW REPAIR SCHEDULE

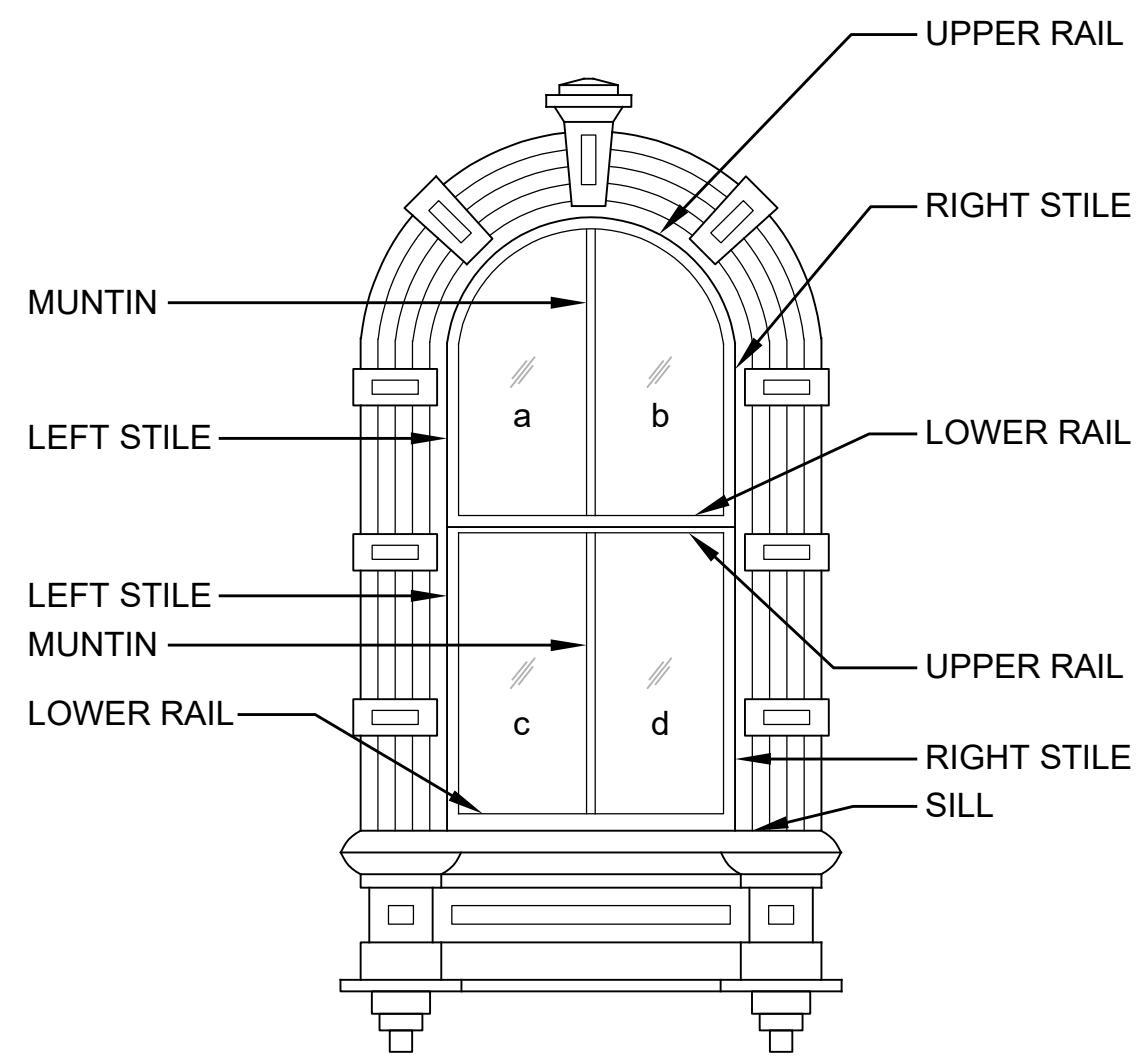
WDW NO	TYPE	LOWER SASH						UPPER SASH						GLASS	SEALANT	NOTES	
		LOWER RAIL	UPPER RAIL	RIGHT STILE	LEFT STILE	MUNTIN	STOP	LOWER RAIL	UPPER RAIL	RIGHT STILE	LEFT STILE	MUNTIN	STOP				
101	B	SRF	SRF	SRF	SRF	SRF	SRF	SRF	SRF	SRF	SRF	SRF	SRF	SRF	--	--	
102	B	SRF	SRF	SRF	SRF	SRF	SRF	SRF	SRF	SRF	SRF	SRF	SRF	SRF	--	--	WDW SEALED AT INT. WDW FIXED IN PLACE
103	B	SRF	SRF	SRF	SRF	SRF	SRF	SRF	SRF	SRF	SRF	SRF	SRF	SRF	--	--	WDW SEALED AT INT. WDW FIXED IN PLACE
104	B	SRF	SRF	SRF	SRF	SRF	SRF	SRF	SRF	SRF	SRF	SRF	SRF	SRF	--	--	WDW SEALED AT INT. WDW FIXED IN PLACE
105	C	SRF	SRF	SRF	SRF	SRF	SRF	SRF	SRF	SRF	SRF	SRF	SRF	SRF	--	--	
106	C	RF	RF	RF	RF	RF	RF	RF	RF	RF	RF	RF	RF	RF	--	R	WDW SEALED AT INT. WDW FIXED IN PLACE
107	C	RF	RF	RF	RF	RF	RF	RF	RF	RF	RF	RF	RF	RF	--	R	WDW SEALED AT INT. WDW FIXED IN PLACE
108	C	SRF	SRF	SRF	SRF	SRF	SRF	SRF	SRF	SRF	SRF	SRF	SRF	SRF	--	--	
109	B	SRF	SRF	SRF	SRF	SRF	SRF	SRF	SRF	SRF	SRF	SRF	SRF	SRF	--	--	
110	B	SRF	SRF	SRF	SRF	SRF	SRF	SRF	SRF	SRF	SRF	SRF	SRF	SRF	--	--	
111	B	SRF	SRF	SRF	SRF	SRF	SRF	SRF	SRF	SRF	SRF	SRF	SRF	SRF	--	--	
112	B	SRF	SRF	SRF	SRF	SRF	SRF	SRF	SRF	SRF	SRF	SRF	SRF	SRF	--	--	WDW SEALED AT INT. WDW FIXED IN PLACE
113	B	SRF	SRF	SRF	SRF	SRF	SRF	SRF	SRF	SRF	SRF	SRF	SRF	SRF	--	--	WDW SEALED AT INT. WDW FIXED IN PLACE
114	B	SRF	SRF	SRF	SRF	SRF	SRF	SRF	SRF	SRF	SRF	SRF	SRF	SRF	--	--	WDW SEALED AT INT. WDW FIXED IN PLACE
115	C	SRF	SRF	SRF	SRF	SRF	SRF	SRF	SRF	SRF	SRF	SRF	SRF	SRF	--	--	
116	C	RF	RF	RF	RF	RF	RF	RF	RF	RF	RF	RF	RF	RF	--	R	WDW SEALED AT INT. WDW FIXED IN PLACE
117	C	RF	RF	RF	RF	RF	RF	RF	RF	RF	RF	RF	RF	RF	--	R	WDW SEALED AT INT. WDW FIXED IN PLACE
118	C	SRF	SRF	SRF	SRF	SRF	SRF	SRF	SRF	SRF	SRF	SRF	SRF	SRF	--	--	
119	B	SRF	SRF	SRF	SRF	SRF	SRF	SRF	SRF	SRF	SRF	SRF	SRF	SRF	--	--	WDW SEALED AT INT. WDW FIXED IN PLACE
120	B	SRF	SRF	SRF	SRF	SRF	SRF	SRF	SRF	SRF	SRF	SRF	SRF	SRF	--	--	WDW SEALED AT INT. WDW FIXED IN PLACE
121	B	SRF	SRF	SRF	SRF	SRF	SRF	SRF	SRF	SRF	SRF	SRF	SRF	SRF	--	--	WDW SEALED AT INT. WDW FIXED IN PLACE
122	B	SRF	SRF	SRF	SRF	SRF	SRF	SRF	SRF	SRF	SRF	SRF	SRF	SRF	--	--	
123	B	SRF	SRF	SRF	SRF	SRF	SRF	SRF	SRF	SRF	SRF	SRF	SRF	SRF	--	--	WDW SEALED AT INT. WDW FIXED IN PLACE
124	B	SRF	SRF	SRF	SRF	SRF	SRF	SRF	SRF	SRF	SRF	SRF	SRF	SRF	--	--	WDW SEALED AT INT. WDW FIXED IN PLACE
125	B	SRF	SRF	SRF	SRF	SRF	SRF	SRF	SRF	SRF	SRF	SRF	SRF	SRF	--	--	
126	B	SRF	SRF	SRF	SRF	SRF	SRF	SRF	SRF	SRF	SRF	SRF	SRF	SRF	--	--	WDW SEALED AT INT. WDW FIXED IN PLACE
127	C	SRF	SRF	SRF	SRF	SRF	SRF	SRF	SRF	SRF	SRF	SRF	SRF	SRF	--	--	
128	C	RF	RF	RF	RF	RF	RF	RF	RF	RF	RF	RF	RF	RF	--	R	WDW SEALED AT INT. WDW FIXED IN PLACE
129	C	RF	RF	RF	RF	RF	RF	RF	RF	RF	RF	RF	RF	RF	--	R	
130	C	SRF	SRF	SRF	SRF	SRF	SRF	SRF	SRF	SRF	SRF	SRF	SRF	SRF	--	--	
131	B	SRF	SRF	SRF	SRF	SRF	SRF	SRF	SRF	SRF	SRF	SRF	SRF	SRF	--	--	WDW SEALED AT INT. WDW FIXED IN PLACE
132	B	SRF	SRF	SRF	SRF	SRF	SRF	SRF	SRF	SRF	SRF	SRF	SRF	SRF	--	--	
133	B	SRF	SRF	SRF	SRF	SRF	SRF	SRF	SRF	SRF	SRF	SRF	SRF	SRF	--	--	WDW SEALED AT INT. WDW FIXED IN PLACE
134	B	SRF	SRF	SRF	SRF	SRF	SRF	SRF	SRF	SRF	SRF	SRF	SRF	SRF	--	--	WDW SEALED AT INT. WDW FIXED IN PLACE
135	B	SRF	SRF	SRF	SRF	SRF	SRF	SRF	SRF	SRF	SRF	SRF	SRF	SRF	--	--	WDW SEALED AT INT. WDW FIXED IN PLACE
136	B	SRF	SRF	SRF	SRF	SRF	SRF	SRF	SRF	SRF	SRF	SRF	SRF	SRF	--	--	
137	C	SRF	SRF	SRF	SRF	SRF	SRF	SRF	SRF	SRF	SRF	SRF	SRF	SRF	--	--	
138	C	RF	RF	RF	RF	RF	RF	RF	RF	RF	RF	RF	RF	RF	--	R	WDW SEALED AT INT. WDW FIXED IN PLACE
139	C	RF	RF	RF	RF	RF	RF	RF	RF	RF	RF	RF	RF	RF	--	R	WDW SEALED AT INT. WDW FIXED IN PLACE
140	C	SRF	SRF	SRF	SRF	SRF	SRF	SRF	SRF	SRF	SRF	SRF	SRF	SRF	--	--	
141	B	SRF	SRF	SRF	SRF	SRF	SRF	SRF	SRF	SRF	SRF	SRF	SRF	SRF	--	--	WDW SEALED AT INT. WDW FIXED IN PLACE
142	B	SRF	SRF	SRF	SRF	SRF	SRF	SRF	SRF	SRF	SRF	SRF	SRF	SRF	--	--	WDW SEALED AT INT. WDW FIXED IN PLACE
143	B	SRF	SRF	SRF	SRF	SRF	SRF	SRF	SRF	SRF	SRF	SRF	SRF	SRF	--	--	WDW SEALED AT INT. WDW FIXED IN PLACE
144	B	SRF	SRF	SRF	SRF	SRF	SRF	SRF	SRF	SRF	SRF	SRF	SRF	SRF	--	--	WDW SEALED AT INT. WDW FIXED IN PLACE

WINDOW TYPES

NOTE: WINDOWS AS VIEWED FROM EXTERIOR



B



C

LEGEND

- RF REFINISH
- SRF STRIP AND REFINISH
- R REMOVE EXISTING PERIMETER SEALANT AROUND EXTERIOR WOOD CASING AND SILL. REPLACE WITH NEW SEALANT
- E EPOXY GAPS, CRACKS, AND/OR HOLES & REFINISH

WINDOW NOTES

1. REFINISH ALL WOOD SILLS. PAINT COLOR OF SILLS TO MATCH ICI #471 "CHINCHILLA WHITE"
2. SEE SPECIFICATIONS FOR REFINISHING INFORMATION

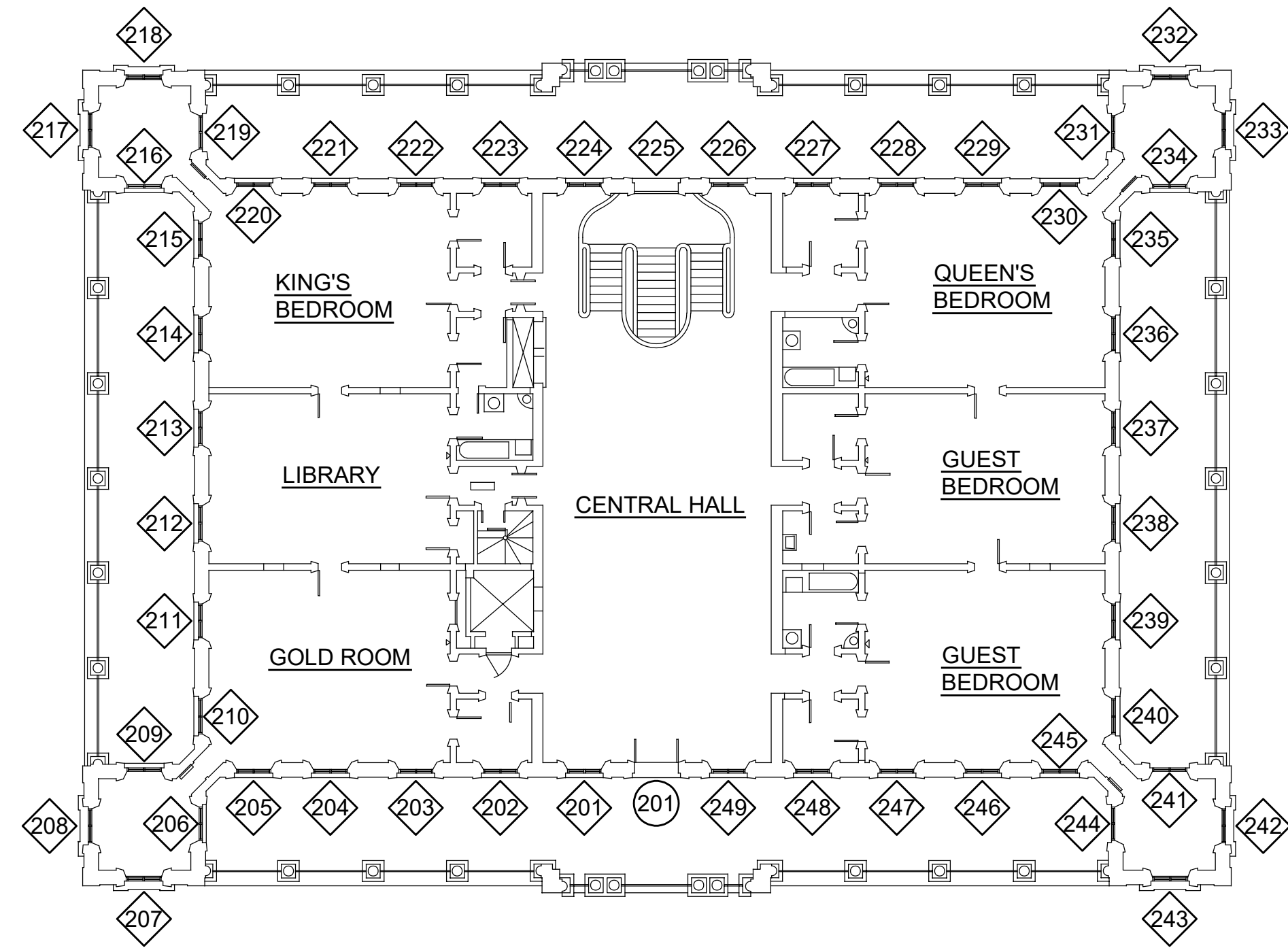
1	ADDENDUM 1	6 OF 8	5/18/26
REVISION NO.	SYM.	DESCRIPTION	APPROVED

STATE OF HAWAII
DEPARTMENT OF LAND AND NATURAL RESOURCES
ENGINEERING DIVISION

IOLANI PALACE STATE MONUMENT
WINDOWS AND DOORS RESTORATION
FIRST FLOOR SCHEDULES

DESIGNED: GM
DRAWN: EB
CHECKED: GM
APPROVED: *[Signature]*
Signature: *[Signature]*
4/30/2028
Expiration Date of License

DATE	DATE
DATE	DATE



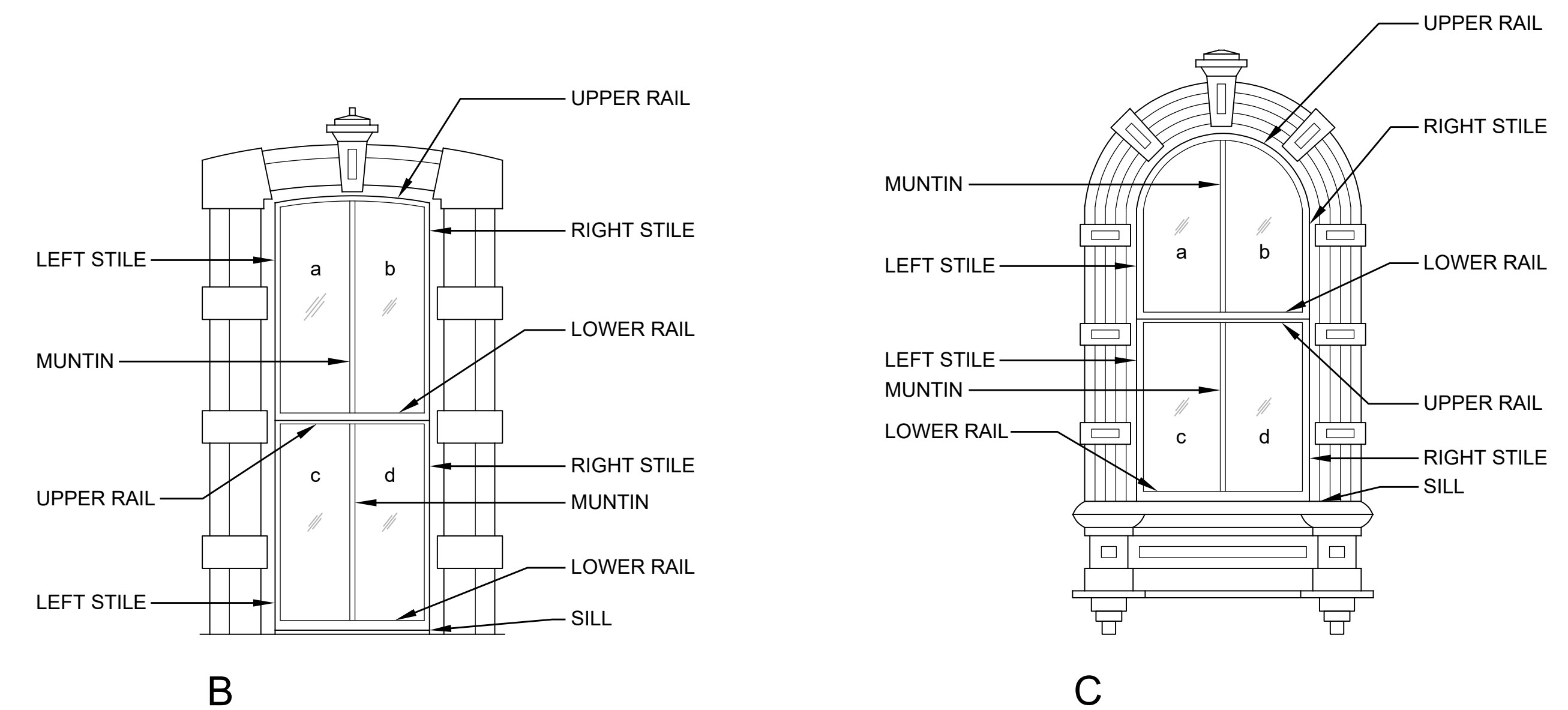
B1 SECOND FLOOR WINDOW PLAN
1/16" = 1'-0"

WINDOW REPAIR SCHEDULE

WDW NO	TYPE	LOWER SASH						UPPER SASH						SEALANT	NOTES			
		LOWER RAIL	UPPER RAIL	RIGHT STILE	LEFT STILE	MUNTIN	STOP	GLASS	LOWER RAIL	UPPER RAIL	RIGHT STILE	LEFT STILE	MUNTIN			STOP	GLASS	
201	B	SRF	SRF	SRF	SRF	SRF	SRF	SRF	SRF	SRF	SRF	SRF	SRF	SRF	SRF	--	--	
202	B	SRF	SRF	SRF	SRF	SRF	SRF	SRF	SRF	SRF	SRF	SRF	SRF	SRF	SRF	--	--	
203	B	SRF	SRF	SRF	SRF	SRF	SRF	SRF	SRF	SRF	SRF	SRF	SRF	SRF	SRF	--	--	
204	B	SRF	SRF	SRF	SRF	SRF	SRF	SRF	SRF	SRF	SRF	SRF	SRF	SRF	SRF	--	--	WDW SEALED AT INT. WDW FIXED IN PLACE
205	B	SRF	SRF	SRF	SRF	SRF	SRF	SRF	SRF	SRF	SRF	SRF	SRF	SRF	SRF	--	--	WDW SEALED AT INT. WDW FIXED IN PLACE
206	C	SRF	SRF	SRF	SRF	SRF	SRF	SRF	SRF	SRF	SRF	SRF	SRF	SRF	SRF	--	--	
207	C	RF	RF	RF	RF	RF	RF	RF	RF	RF	RF	RF	RF	RF	RF	--	R	WDW SEALED AT INT. WDW FIXED IN PLACE
208	C	RF	RF	RF	RF	RF	RF	RF	RF	RF	RF	RF	RF	RF	RF	--	R	WDW SEALED AT INT. WDW FIXED IN PLACE
209	C	SRF	SRF	SRF	SRF	SRF	SRF	SRF	SRF	SRF	SRF	SRF	SRF	SRF	SRF	--	--	
210	B	SRF	SRF	SRF	SRF	SRF	SRF	SRF	SRF	SRF	SRF	SRF	SRF	SRF	SRF	--	--	WDW SEALED AT INT. WDW FIXED IN PLACE
211	B	SRF	SRF	SRF	SRF	SRF	SRF	SRF	SRF	SRF	SRF	SRF	SRF	SRF	SRF	--	--	WDW SEALED AT INT. WDW FIXED IN PLACE
212	B	SRF	SRF	SRF	SRF	SRF	SRF	SRF	SRF	SRF	SRF	SRF	SRF	SRF	SRF	--	--	WDW SEALED AT INT. WDW FIXED IN PLACE
213	B	SRF	SRF	SRF	SRF	SRF	SRF	SRF	SRF	SRF	SRF	SRF	SRF	SRF	SRF	--	--	
214	B	SRF	SRF	SRF	SRF	SRF	SRF	SRF	SRF	SRF	SRF	SRF	SRF	SRF	SRF	--	--	WDW SEALED AT INT. WDW FIXED IN PLACE
215	B	SRF	SRF	SRF	SRF	SRF	SRF	SRF	SRF	SRF	SRF	SRF	SRF	SRF	SRF	--	--	WDW SEALED AT INT. WDW FIXED IN PLACE
216	C	SRF	SRF	SRF	SRF	SRF	SRF	SRF	SRF	SRF	SRF	SRF	SRF	SRF	SRF	--	--	
217	C	RF	RF	RF	RF	RF	RF	RF	RF	RF	RF	RF	RF	RF	RF	--	R	WDW SEALED AT INT. WDW FIXED IN PLACE
218	C	RF	RF	RF	RF	RF	RF	RF	RF	RF	RF	RF	RF	RF	RF	--	R	WDW SEALED AT INT. WDW FIXED IN PLACE
219	C	SRF	SRF	SRF	SRF	SRF	SRF	SRF	SRF	SRF	SRF	SRF	SRF	SRF	SRF	--	--	
220	B	SRF	SRF	SRF	SRF	SRF	SRF	SRF	SRF	SRF	SRF	SRF	SRF	SRF	SRF	--	--	WDW SEALED AT INT. WDW FIXED IN PLACE
221	B	SRF	SRF	SRF	SRF	SRF	SRF	SRF	SRF	SRF	SRF	SRF	SRF	SRF	SRF	--	--	WDW SEALED AT INT. WDW FIXED IN PLACE
222	B	SRF	SRF	SRF	SRF	SRF	SRF	SRF	SRF	SRF	SRF	SRF	SRF	SRF	SRF	--	--	
223	B	SRF	SRF	SRF	SRF	SRF	SRF	SRF	SRF	SRF	SRF	SRF	SRF	SRF	SRF	--	--	WDW SEALED AT INT. WDW FIXED IN PLACE
224	B	SRF	SRF	SRF	SRF	SRF	SRF	SRF	SRF	SRF	SRF	SRF	SRF	SRF	SRF	--	--	
225	B	SRF	SRF	SRF	SRF	SRF	SRF	SRF	SRF	SRF	SRF	SRF	SRF	SRF	SRF	--	--	
226	B	SRF	SRF	SRF	SRF	SRF	SRF	SRF	SRF	SRF	SRF	SRF	SRF	SRF	SRF	--	--	WDW SEALED AT INT. WDW FIXED IN PLACE
227	B	SRF	SRF	SRF	SRF	SRF	SRF	SRF	SRF	SRF	SRF	SRF	SRF	SRF	SRF	--	--	WDW SEALED AT INT. WDW FIXED IN PLACE
228	B	SRF	SRF	SRF	SRF	SRF	SRF	SRF	SRF	SRF	SRF	SRF	SRF	SRF	SRF	--	--	WDW SEALED AT INT. WDW FIXED IN PLACE
229	B	SRF	SRF	SRF	SRF	SRF	SRF	SRF	SRF	SRF	SRF	SRF	SRF	SRF	SRF	--	--	WDW SEALED AT INT. WDW FIXED IN PLACE
230	B	SRF	SRF	SRF	SRF	SRF	SRF	SRF	SRF	SRF	SRF	SRF	SRF	SRF	SRF	--	--	
231	C	SRF	SRF	SRF	SRF	SRF	SRF	SRF	SRF	SRF	SRF	SRF	SRF	SRF	SRF	--	--	
232	C	RF	RF	RF	RF	RF	RF	RF	RF	RF	RF	RF	RF	RF	RF	--	R	WDW SEALED AT INT. WDW FIXED IN PLACE
233	C	RF	RF	RF	RF	RF	RF	RF	RF	RF	RF	RF	RF	RF	RF	--	R	WDW SEALED AT INT. WDW FIXED IN PLACE
234	C	SRF	SRF	SRF	SRF	SRF	SRF	SRF	SRF	SRF	SRF	SRF	SRF	SRF	SRF	--	--	
235	B	SRF	SRF	SRF	SRF	SRF	SRF	SRF	SRF	SRF	SRF	SRF	SRF	SRF	SRF	--	--	WDW SEALED AT INT. WDW FIXED IN PLACE
236	B	SRF	SRF	SRF	SRF	SRF	SRF	SRF	SRF	SRF	SRF	SRF	SRF	SRF	SRF	--	--	WDW SEALED AT INT. WDW FIXED IN PLACE
237	B	SRF	SRF	SRF	SRF	SRF	SRF	SRF	SRF	SRF	SRF	SRF	SRF	SRF	SRF	--	--	
238	B	SRF	SRF	SRF	SRF	SRF	SRF	SRF	SRF	SRF	SRF	SRF	SRF	SRF	SRF	--	--	WDW SEALED AT INT. WDW FIXED IN PLACE
239	B	SRF	SRF	SRF	SRF	SRF	SRF	SRF	SRF	SRF	SRF	SRF	SRF	SRF	SRF	--	--	WDW SEALED AT INT. WDW FIXED IN PLACE
240	B	SRF	SRF	SRF	SRF	SRF	SRF	SRF	SRF	SRF	SRF	SRF	SRF	SRF	SRF	--	--	WDW SEALED AT INT. WDW FIXED IN PLACE
241	C	SRF	SRF	SRF	SRF	SRF	SRF	SRF	SRF	SRF	SRF	SRF	SRF	SRF	SRF	--	--	
242	C	RF	RF	RF	RF	RF	RF	RF	RF	RF	RF	RF	RF	RF	RF	--	R	WDW SEALED AT INT. WDW FIXED IN PLACE
243	C	RF	RF	RF	RF	RF	RF	RF	RF	RF	RF	RF	RF	RF	RF	--	R	WDW SEALED AT INT. WDW FIXED IN PLACE
244	C	SRF	SRF	SRF	SRF	SRF	SRF	SRF	SRF	SRF	SRF	SRF	SRF	SRF	SRF	--	--	
245	B	SRF	SRF	SRF	SRF	SRF	SRF	SRF	SRF	SRF	SRF	SRF	SRF	SRF	SRF	--	--	
246	B	SRF	SRF	SRF	SRF	SRF	SRF	SRF	SRF	SRF	SRF	SRF	SRF	SRF	SRF	--	--	WDW SEALED AT INT. WDW FIXED IN PLACE
247	B	SRF	SRF	SRF	SRF	SRF	SRF	SRF	SRF	SRF	SRF	SRF	SRF	SRF	SRF	--	--	WDW SEALED AT INT. WDW FIXED IN PLACE
248	B	SRF	SRF	SRF	SRF	SRF	SRF	SRF	SRF	SRF	SRF	SRF	SRF	SRF	SRF	--	--	WDW SEALED AT INT. WDW FIXED IN PLACE
249	B	SRF	SRF	SRF	SRF	SRF	SRF	SRF	SRF	SRF	SRF	SRF	SRF	SRF	SRF	--	--	WDW SEALED AT INT. WDW FIXED IN PLACE

WINDOW TYPES

NOTE: WINDOWS AS VIEWED FROM EXTERIOR



LEGEND

- RF REFINISH
- SRF STRIP AND REFINISH
- R REMOVE EXISTING PERIMETER SEALANT AROUND EXTERIOR WOOD CASING AND SILL. REPLACE WITH NEW SEALANT
- E EPOXY GAPS, CRACKS, AND/OR HOLES & REFINISH

WINDOW NOTES

1. REFINISH ALL WOOD SILLS. PAINT COLOR OF SILLS TO MATCH ICI #471 "CHINCHILLA WHITE"
2. SEE SPECIFICATIONS FOR REFINISHING INFORMATION

1		ADDENDUM 1	7 OF 8	5/18/26	
REVISION NO.	SYM.	DESCRIPTION	SHT./OF	DATE	APPROVED

GLENN E. MASON
LICENSED PROFESSIONAL ARCHITECT
No. 4073
HAWAII, U.S.A.

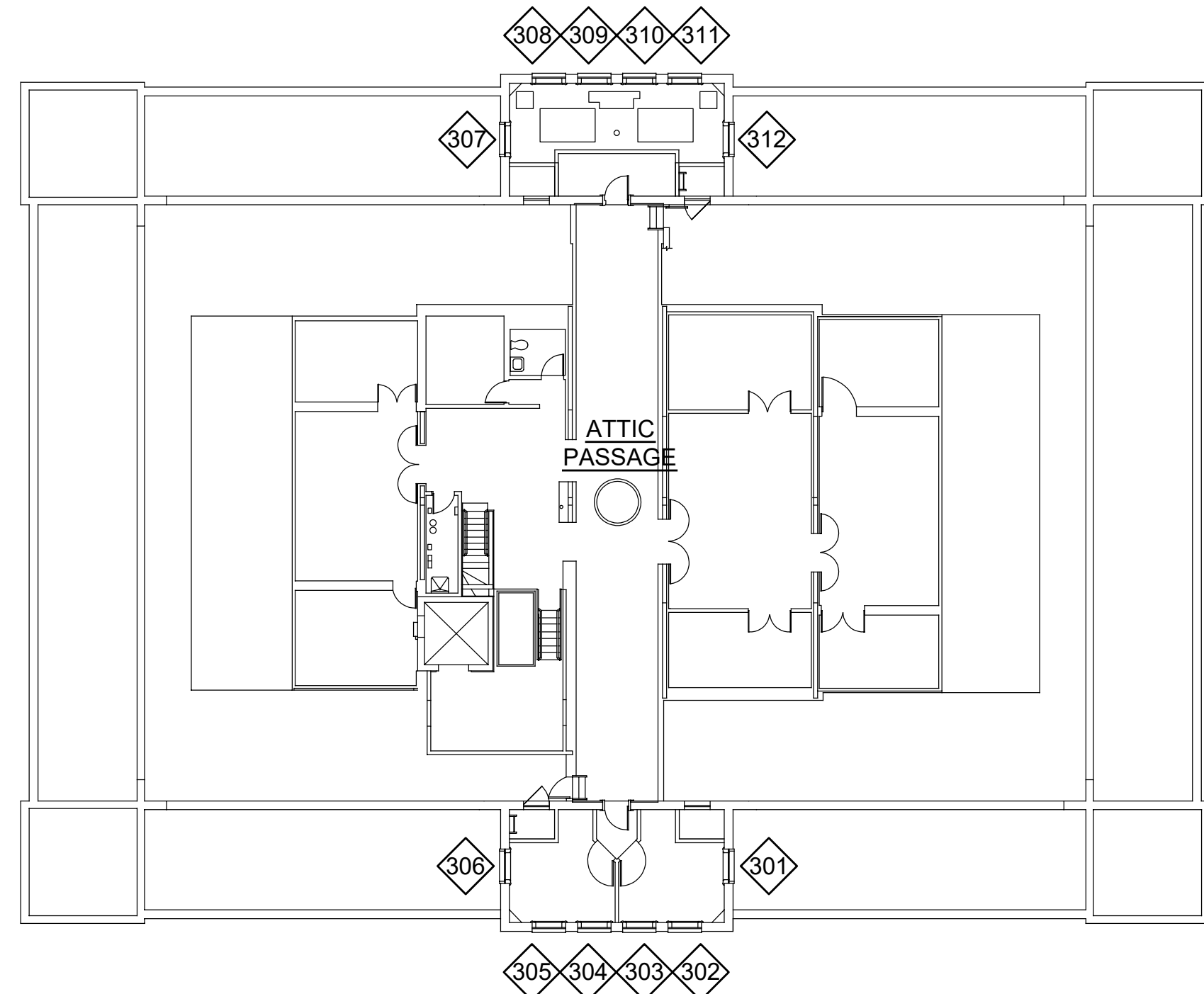
STATE OF HAWAII
DEPARTMENT OF LAND AND NATURAL RESOURCES
ENGINEERING DIVISION

**IOLANI PALACE STATE MONUMENT
WINDOWS AND DOORS RESTORATION**

SECOND FLOOR SCHEDULES

DESIGNED: GM	SUBMITTED: -
DRAWN: EB	DATE:
CHECKED: GM	SCALE:
APPROVED: <i>[Signature]</i>	DRAWING NO. A603
CHIEF ENGINEER	DATE

JOB NO. F11C763J SHEET NO. OF SHEETS



B1 ATTIC WINDOW PLAN
3/32" = 1'-0"

WINDOW REPAIR SCHEDULE

WDW NO	TYPE	LOWER SASH							UPPER SASH							SEALANT	SHUTTERS	NOTES
		LOWER RAIL	UPPER RAIL	RIGHT STILE	LEFT STILE	MUNTIN	STOP	GLASS	LOWER RAIL	UPPER RAIL	RIGHT STILE	LEFT STILE	MUNTIN	STOP	GLASS			
301	D	RF	RF	RF	RF	RF	RF	-	RF	RF	RF	RF	RF	RF	-	R	-	WDW SEALED AT INT. WDW FIXED IN PLACE
302	D	RF	RF	RF	RF	RF	RF	-	RF	RF	RF	RF	RF	RF	-	R	-	
303	D	RF	RF	RF	RF	RF	RF	-	RF	RF	RF	RF	RF	RF	-	R	-	
304	D	RF	RF	RF	RF	RF	RF	-	RF	RF	RF	RF	RF	RF	-	R	-	
305	D	RF	RF	RF	RF	RF	RF	-	RF	RF	RF	RF	RF	RF	-	R	-	
306	D	RF	RF	RF	RF	RF	RF	-	RF	RF	RF	RF	RF	RF	-	R	C	
307	D	RF	RF	RF	RF	RF	RF	-	RF	RF	RF	RF	RF	RF	-	R	C	
308	D	RF	RF	RF	RF	RF	RF	-	RF	RF	RF	RF	RF	RF	-	R	-	
309	D	RF	RF	RF	RF	RF	RF	-	RF	RF	RF	RF	RF	RF	-	R	-	
310	D	RF	RF	RF	RF	RF	RF	-	RF	RF	RF	RF	RF	RF	-	R	-	
311	D	RF	RF	RF	RF	RF	RF	-	RF	RF	RF	RF	RF	RF	-	R	-	
312	D	RF	RF	RF	RF	RF	RF	-	RF	RF	RF	RF	RF	RF	-	R	-	

LEGEND

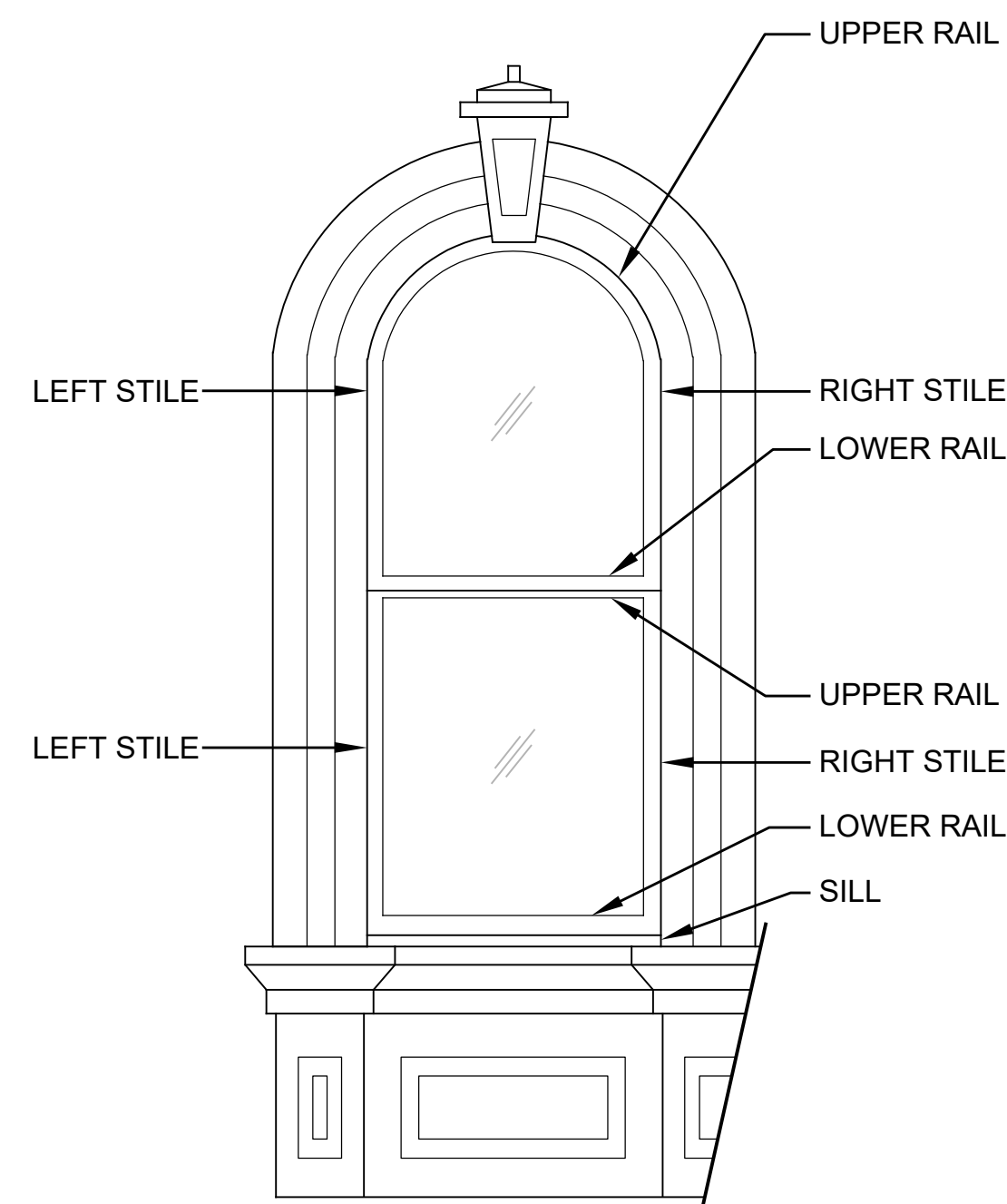
- RF REFINISH
- SRF STRIP AND REFINISH
- E EPOXY GAPS, CRACKS, AND/OR HOLES & REFINISH
- C CLEAN
- R REMOVE EXISTING PERIMETER SEALANT AROUND EXTERIOR WOOD CASING AND SILL. REPLACE WITH NEW SEALANT.

WINDOW NOTES

1. REFINISH ALL WOOD SILLS. PAINT COLOR OF SILLS TO MATCH ICI #471 "CHINCHILLA WHITE"
2. SEE SPECIFICATIONS FOR REFINISHING INFORMATION
3. PERIMETER SEALANT AT ALL ATTIC WINDOWS FOUND TO HAVE LESS THAN 1% ASBESTOS.

WINDOW TYPES

NOTE: WINDOWS AS VIEWED FROM EXTERIOR



D

1	ADDENDUM 1	8 OF 8	5/18/26		
REVISION NO.	SYM.	DESCRIPTION	SHT./OF	DATE	APPROVED
		STATE OF HAWAII DEPARTMENT OF LAND AND NATURAL RESOURCES ENGINEERING DIVISION IOLANI PALACE STATE MONUMENT WINDOWS AND DOORS RESTORATION ATTIC SCHEDULES			
This work was prepared by me or under my supervision and construction of this project will be under my observation.		DESIGNED: GM	SUBMITTED: - - -		
		DRAWN: EB	DATE:		
		CHECKED: GM	SCALE:		
APPROVED: Signature: _____ Expiration Date of License: 4/30/2028		CHIEF ENGINEER: Signature: _____ DATE: _____		DRAWING NO. A604	